

PRODUCT DATA

EM-BOX BY NILAN



Passive heat recovery



Domestic



Passive
heat recovery

EM-BOX

Use

The EM-box can be connected to Nilan's ventilation units. An EM-box enables heat recovery via the home's cooker hood, utilising the heat generated from cooking.

When the cooker hood is switched off, the basic ventilation takes place via the hood. When more powerful extraction is needed, e.g. during cooking, a damper in the hood is opened. At the same time, the damper in the EM-box will regulate the air extraction from other rooms as a part of the basic ventilation, so that the primary air extraction takes place via the hood.

If a larger air volume is needed for the hood to provide effective extraction, the ventilation unit will increase the air volume. When the hood is switched off, ventilation will return to normal operation.

The EM-box can be placed above the extraction hood, or at any point between the aggregate and hood.

Material	0,9 mm Aluzinc steel plate
Weight	6 kg
Filter class	Metal grease filter
Duct connections	2 x Ø160 mm og 2 x Ø125 mm
Supply voltage	230V

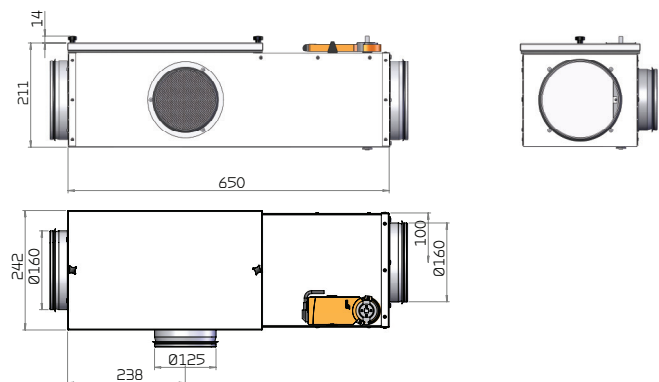
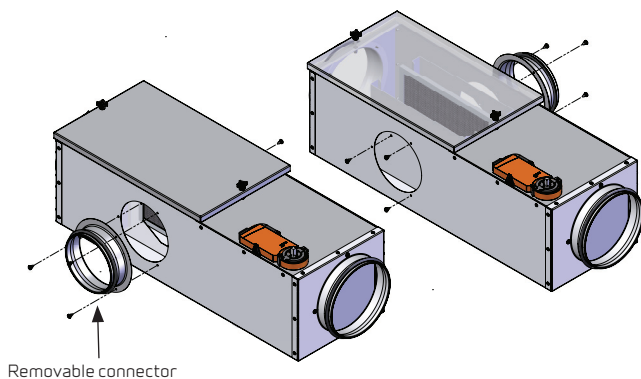
Range hood filter box

If the EM box cannot be optimally located, a range hood filter box can be used instead. The range hood filter box takes up less space and can be located adjacent to the hood. For the range hood filter box solution a DTBU damper must be placed in the extract air duct before the range hood.

Dimensional drawing

All dimensions are in mm.

EM-box

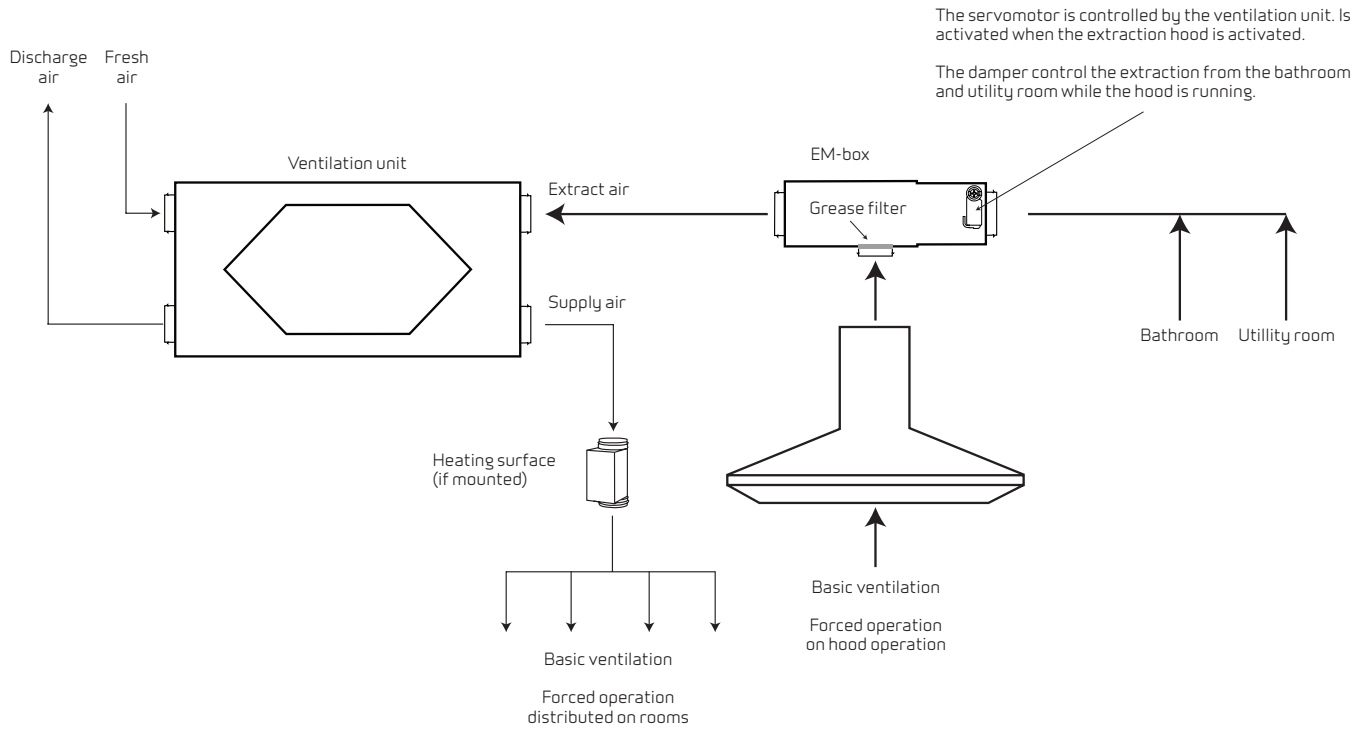


Range hood filter box

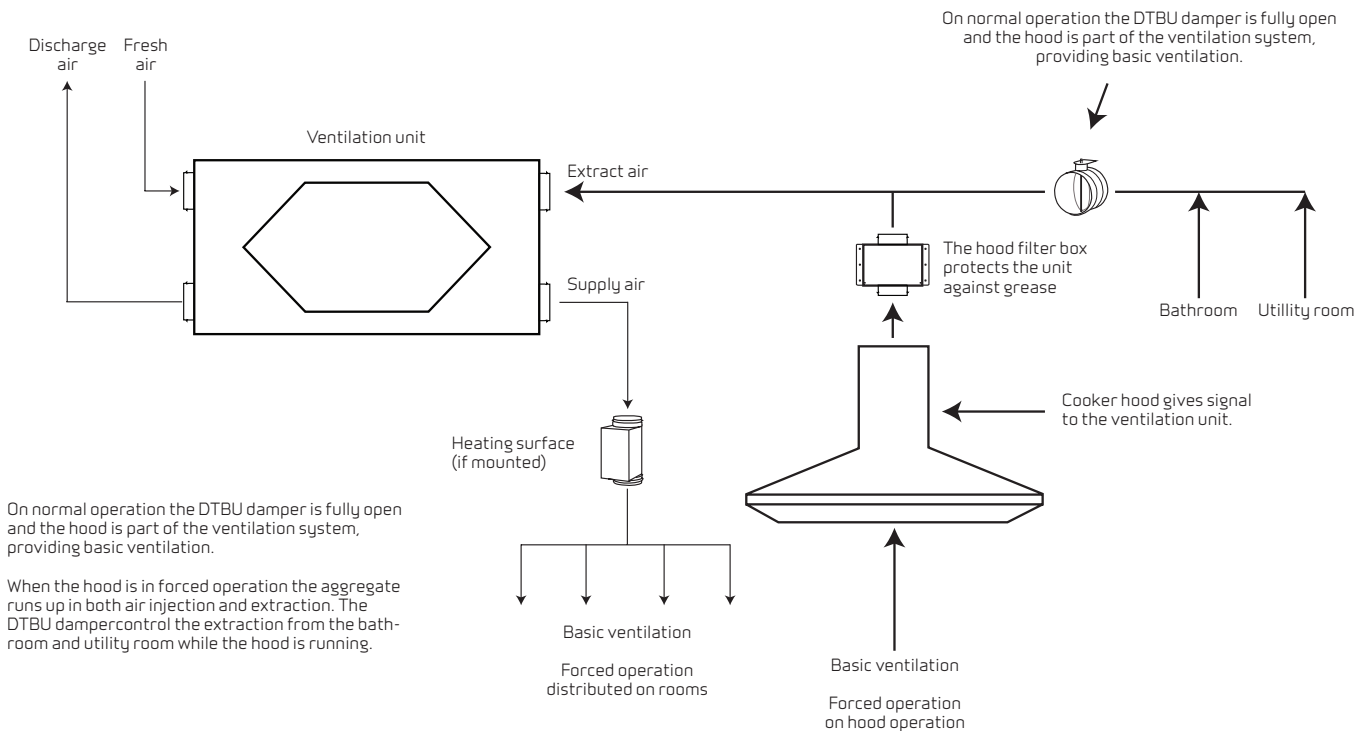


Schematic diagrams

EM-box



Range hood filter box



INFORMATION FROM A TO Z

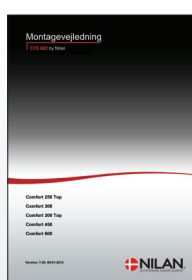
Nilan develops and manufactures premium-quality, energy-saving ventilation and heat pump solutions that provide a healthy indoor climate and low-level energy consumption with the greatest consideration for the environment. In order to facilitate each step in the construction process - from choosing the solution through to planning, installation and maintenance - we have created a series of information material which is available for download at www.nilan.dk.



Brochure
General information about the solution and its benefits.



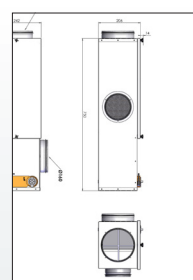
Product data
Technical information to ensure correct choice of solution.



Installation instructions
Detailed guide for installation and initial adjustment of the solution.



User manual
Detailed guide for regulation of the solution to ensure optimum day-to-day operation.



Drawing material
Nilan is happy to make 2D CAD drawings available for integrated planning with the solution.

WWW.
NILAN
.DK

Visit us at www.nilan.dk to find out more about our company and solutions, download further information and find your nearest dealer.



Nilan A/S
Nilanvej 2
8722 Hedensted
Denmark
Tel. +45 76 75 25 00
Fax +45 76 75 25 25
nilan@nilan.dk
www.nilan.dk